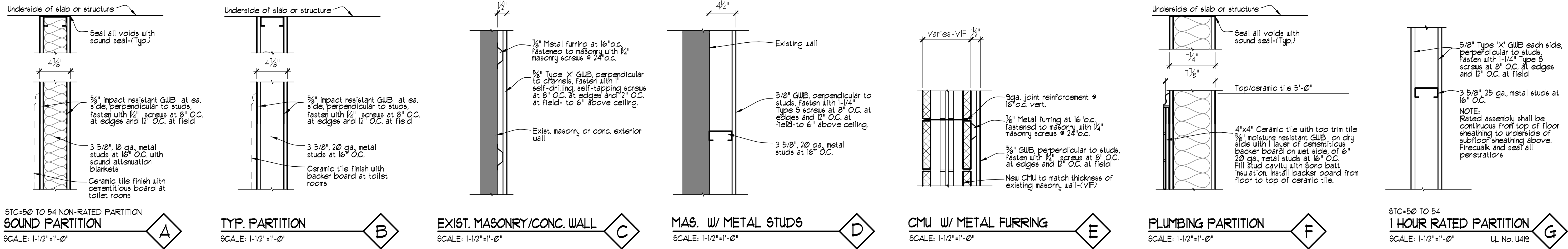
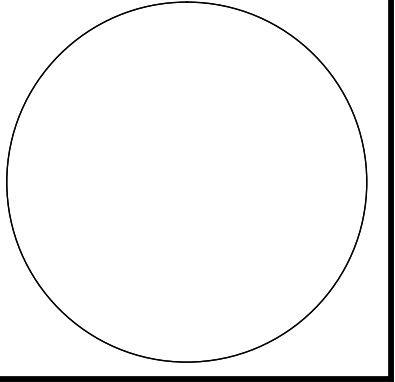
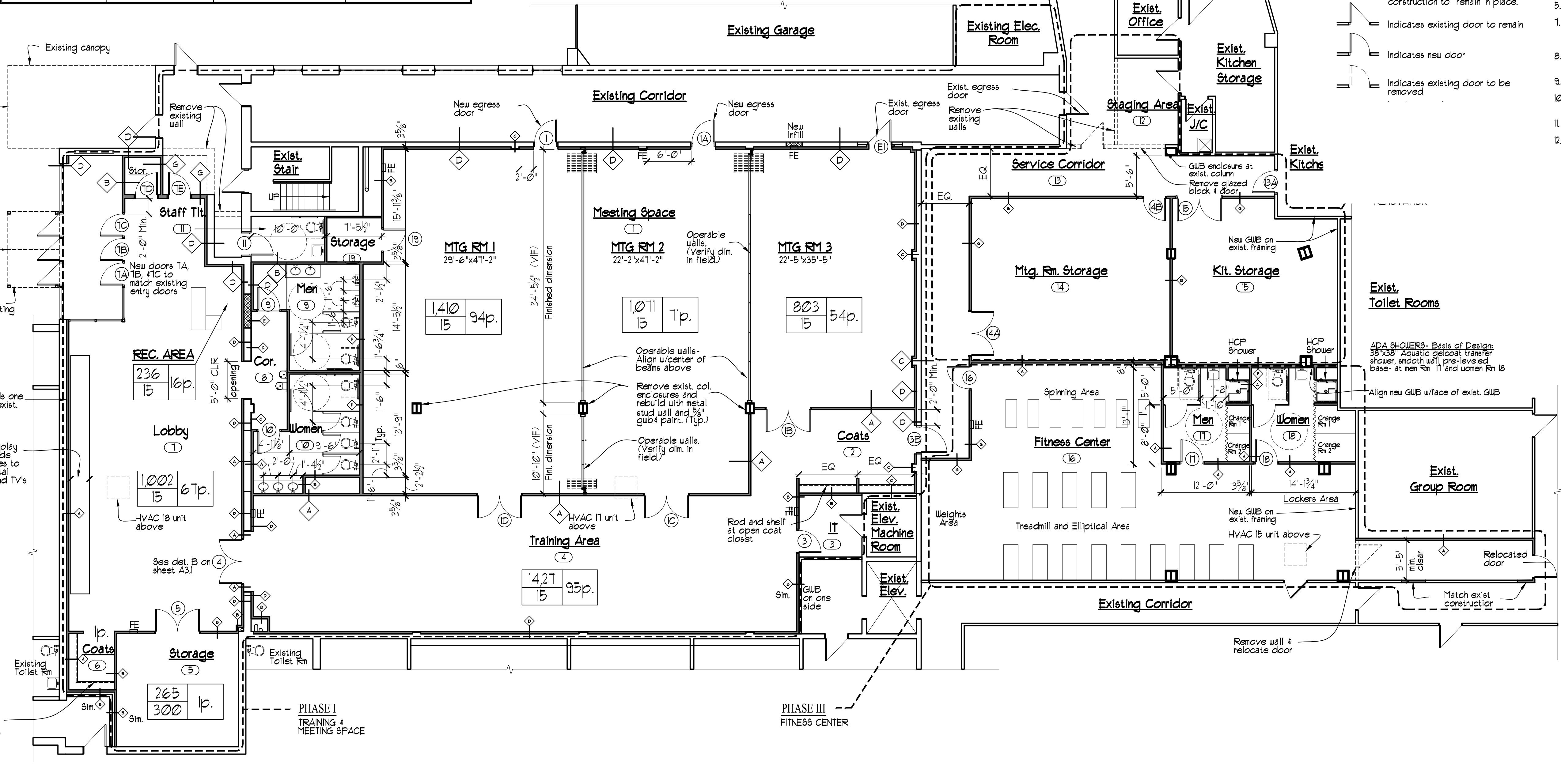


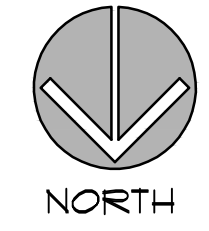
Crosskey Architects
LLC
Architecture Preservation Interiors
One Union Place, Hartford, CT 06103
T: (860)724-3000 F: (860)724-3013



LINTEL SCHEDULE			
OPENING SIZE	4"- WIDTH	6"- WIDTH	8"- WIDTH
0'-0" TO 4'-0"	L-4"x3 1/2"x5/16"	L-4"x3 1/2"x5/16"	2-L's - 4"x3 1/2"x5/16"
4'-1" TO 5'-0"	L-4"x3 1/2"x5/16"	2-L'S-3 1/2"x2 1/2"x5/16"	2-L's - 5"x3 1/2"x5/16"
5'-1" TO 7'-0"	L-5"x3 1/2"x5/16"	2-L'S-3 1/2"x2 1/2"x3/8"	2-L's - 6"x3 1/2"x5/16"
7'-1" TO 10'-0"	L-6"x3 1/2"x3/8"	2-L'S-3 1/2"x2 1/2"x 3/8"	WBX18 w/ 5/16" PLATE



1 PARTIAL FIRST FLOOR PLAN
SCALE: 1/8"=1'-0"



Chrysalis Center Inc.
Training & Meeting Space - Interior Renovation
255 Homestead Avenue, Hartford, CT 06132-0613

Drawn: SR
Date: 07-10-2014
Revisions: 11-18-2014

Proposed Floor Plan

